



1. Pre-applied  
**SLOPESHIELD® PLUS SELF-ADHERED**
2. Field-applied  
**SLOPESHIELD® PLUS SELF-ADHERED**  
transition membrane, maintaining minimum 6"  
(152 mm) laps at slopes of 4:12 and greater or  
12" (305 mm) laps at slopes less than 4:12 at roof  
panel end joints
3. Field-applied 4" (102 mm) strip of **VAPROBOND™**  
or **VAPROTAPE UV BLACK** transition membrane at  
side joints and horizontal CLT panel joints
4. Parapet to receive field-applied  
**WRAPSHIELD SA® SELF-ADHERED/**  
**REVEALSHIELD SA™ SELF-ADHERED,**  
**VAPRO-SS FLASHING™**, and **VAPROLIQUI-FLASH™**

## CLT Roof Panel Field Application



### DISCLAIMER

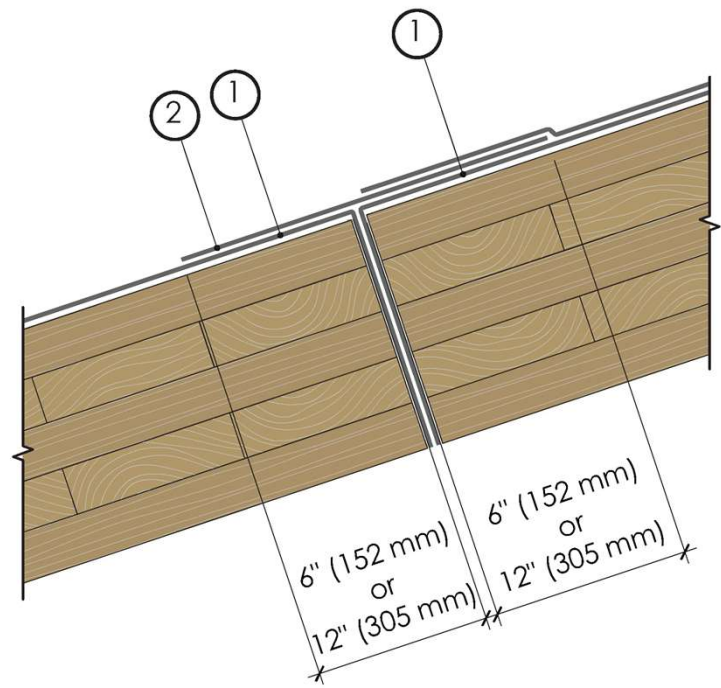
Detail sketch is generic, representing suggested best practices for VaproShield materials, and does not represent a specific job site condition and therefore may not be applicable to certain projects. Detail sketch is designed for use as a reference and must be approved by the designer/consultant of record for each project prior to installation by the subcontractor. Changes and approvals of VaproShield details are the sole responsibility of the designer/consultant of record. VaproShield is not the designer of record for building enclosure details and takes no responsibility for the accuracy or interpretation of actual project site conditions.

DRAWN BY: RDH

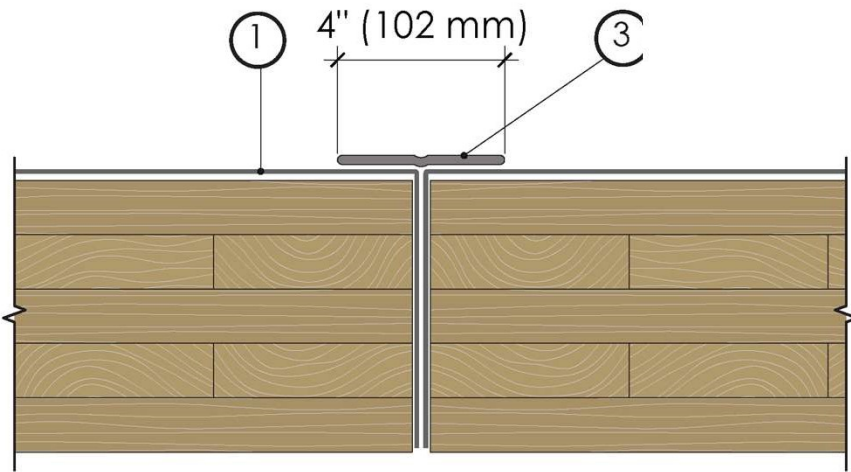
DATE: 5/14/19

REF: 230

Always check [www.VaproShield.com](http://www.VaproShield.com) for the latest details and installation instructions



Flat CLT roof panel joint.



1. Pre-applied **SLOPESHIELD® PLUS SELF-ADHERED**
2. Field-applied **SLOPESHIELD® PLUS SELF-ADHERED** transition membrane, maintaining minimum 6" (152 mm) laps at slopes of 4:12 and greater or 12" (305 mm) laps at slopes less than 4:12 at roof panel end joints
3. Field-applied 4" (102 mm) strip of **VAPROBOND™** or **VAPROTAPE UV BLACK** transition membrane at side joints and horizontal CLT panel joints
4. Parapet to receive field-applied **WRAPSHIELD SA® SELF-ADHERED/ REVEALSHIELD SA™ SELF-ADHERED, VAPRO-SS FLASHING™**, and **VAPROLIQUI-FLASH™**

## CLT Roof Panel Field Application



### DISCLAIMER

Detail sketch is generic, representing suggested best practices for VaproShield materials, and does not represent a specific job site condition and therefore may not be applicable to certain projects. Detail sketch is designed for use as a reference and must be approved by the designer/consultant of record for each project prior to installation by the subcontractor. Changes and approvals of VaproShield details are the sole responsibility of the designer/consultant of record. VaproShield is not the designer of record for building enclosure details and takes no responsibility for the accuracy or interpretation of actual project site conditions.

DRAWN BY: RDH

DATE: 5/14/19

REF: 230

Always check [www.VaproShield.com](http://www.VaproShield.com) for the latest details and installation instructions