

## Legend

1. Pre-applied **WRAPSHIELD SA<sup>®</sup> SELF-ADHERED** or **REVEALSHIELD SA<sup>™</sup> SELF-ADHERED**
2. Field-applied **WRAPFLASHING SA<sup>™</sup> SELF-ADHERED** or **REVEALFLASHING SA<sup>™</sup> SELF-ADHERED**. Alternatively, use a 6" strip of **WRAPSHIELD SA<sup>®</sup> SELF-ADHERED** or **REVEALSHIELD SA<sup>™</sup> SELF-ADHERED** centered at CLT panel joints to maintain a minimum 3 inches (76 mm) laps

## CLT Wall Panel Field Application



### DISCLAIMER

Detail sketch is generic, representing suggested best practices for VaproShield materials, and does not represent a specific job site condition and therefore may not be applicable to certain projects. Detail sketch is designed for use as a reference and must be approved by the designer/consultant of record for each project prior to installation by the subcontractor. Changes and approvals of VaproShield details are the sole responsibility of the designer/consultant of record. VaproShield is not the designer of record for building enclosure details and takes no responsibility for the accuracy or interpretation of actual project site conditions.

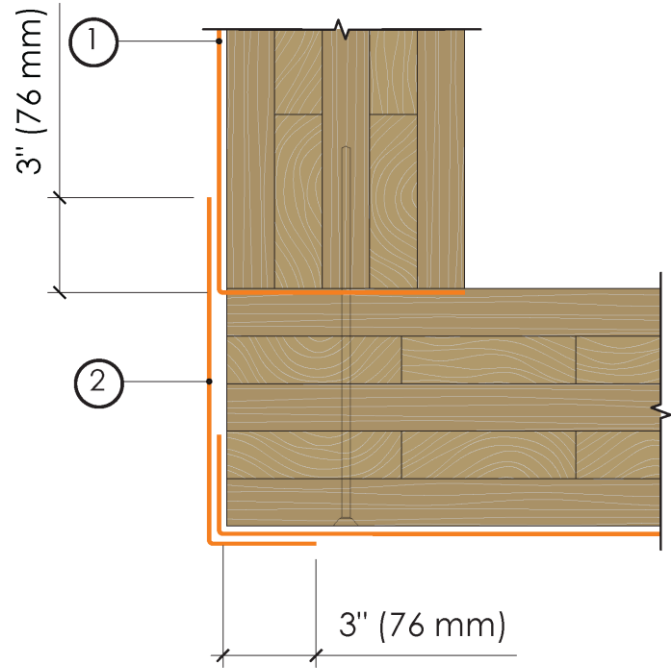
DRAWN BY: RDH

DATE: 5/14/19

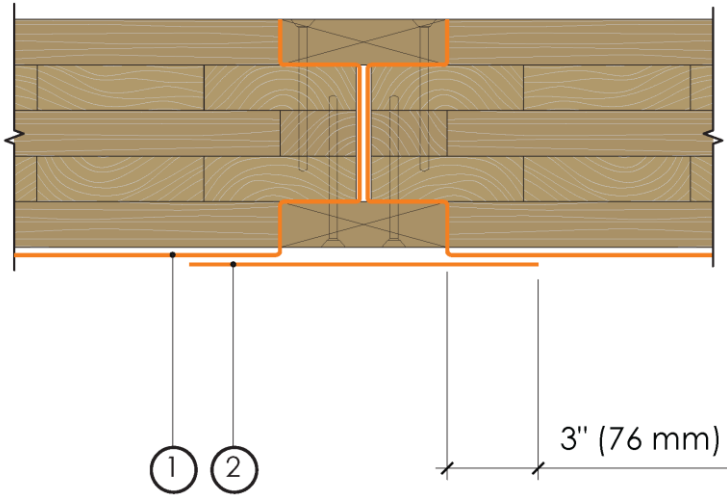
REF: 229

Always check [www.VaproShield.com](http://www.VaproShield.com) for the latest details and installation instructions

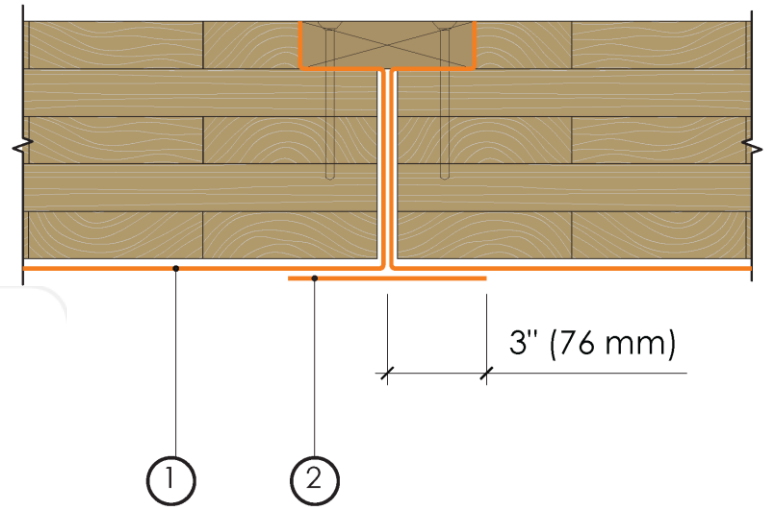
Outside wall corner plan view.



Double splice-joint plan view.



Single splice-joint plan view.



## Legend

1. Pre-applied **WRAPSHIELD SA<sup>®</sup> SELF-ADHERED** or **REVEALSHIELD SA<sup>™</sup> SELF-ADHERED**
2. Field-applied **WRAPFLASHING SA<sup>™</sup> SELF-ADHERED** or **REVEALFLASHING SA<sup>™</sup> SELF-ADHERED**. Alternatively, use a 6" strip of **WRAPSHIELD SA<sup>®</sup> SELF-ADHERED** or **REVEALSHIELD SA<sup>™</sup> SELF-ADHERED** centered at CLT panel joints to maintain a minimum 3 inches (76 mm) laps

# CLT Wall Panel Field Application



### DISCLAIMER

Detail sketch is generic, representing suggested best practices for VaproShield materials, and does not represent a specific job site condition and therefore may not be applicable to certain projects. Detail sketch is designed for use as a reference and must be approved by the designer/consultant of record for each project prior to installation by the subcontractor. Changes and approvals of VaproShield details are the sole responsibility of the designer/consultant of record. VaproShield is **not** the designer of record for building enclosure details and takes no responsibility for the accuracy or interpretation of actual project site conditions.

DRAWN BY: RDH

DATE: 5/14/19

REF: 229

Always check [www.VaproShield.com](http://www.VaproShield.com) for the latest details and installation instructions