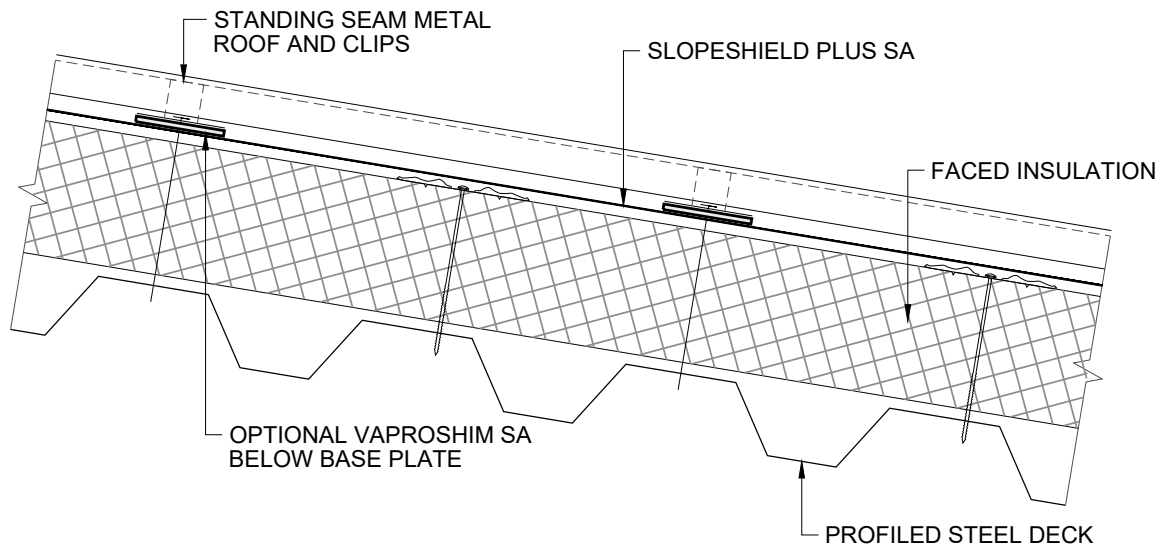


NOTES:

1. FOR ROOF SLOPE LESS THAN 2:12, CONTACT VAPROSHIELD TECHNICAL DEPARTMENT FOR INSTALLATION GUIDANCE
2. SLOPESHIELD PLUS SA MUST BE APPLIED TO CLEAN AND DRY SURFACE



VAPROSHIELD SLOPESHIELD PLUS SA

TITLE: METAL ROOF WITH ROOF CLIPS
OVER INSULATION - WITH VAPROSHIM SA

DATE: 08.03.2020

STEEP SLOPE
2:12 OR GREATER

FILE:

SS-12

SCALE: NONE