

REVEALSHIELD™ IT

VAPROLIQUI-FLASH™

PRODUCT DESCRIPTION

VaproLiqui-Flash is a liquid applied, vapor permeable, waterproof, air barrier flashing system component for window and door rough openings. VaproLiquiFlash is designed to work with VaproFlashing and VaproShield field membranes as a complete system.

DISCLAIMER

Detail sketch is generic, representing suggested best practices for VaproShield materials, and does not represent a specific job site condition and therefore may not be applicable to certain projects. Detail sketch is designed for use as a reference and must be approved by the designer/consultant of record for each project prior to installation by the subcontractor. Changes and approvals of VaproShield details are the sole responsibility of the designer/consultant of record. VaproShield is **not** the designer of record for building enclosure details and takes no responsibility for the accuracy or interpretation of actual project site conditions.

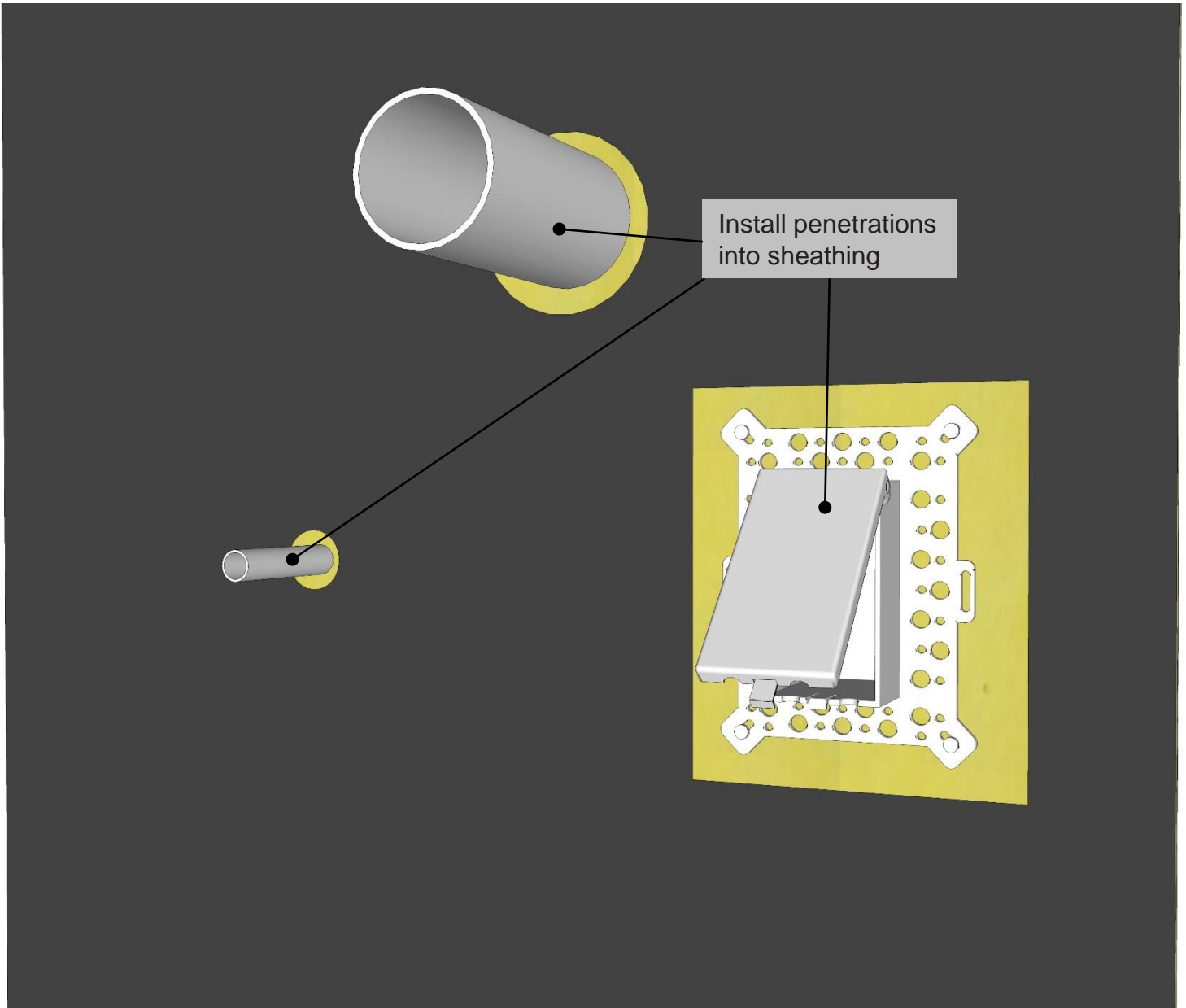
DRAWN BY: AR

DATE: 03-09-17

REF: 186

Always check www.VaproShield.com for the latest details and installation instructions

Mechanically Attached Membrane Penetrations



REVEALSHIELD™ IT

VAPROLIQUI-FLASH™

PRODUCT DESCRIPTION

VaproLiqui-Flash is a liquid applied, vapor permeable, waterproof, air barrier flashing system component for window and door rough openings.

VaproLiquiFlash is designed to work with VaproFlashing and VaproShield field membranes as a complete system.

DISCLAIMER

Detail sketch is generic, representing suggested best practices for VaproShield materials, and does not represent a specific job site condition and therefore may not be applicable to certain projects. Detail sketch is designed for use as a reference and must be approved by the designer/consultant of record for each project prior to installation by the subcontractor. Changes and approvals of VaproShield details are the sole responsibility of the designer/consultant of record. VaproShield is **not** the designer of record for building enclosure details and takes no responsibility for the accuracy or interpretation of actual project site conditions.

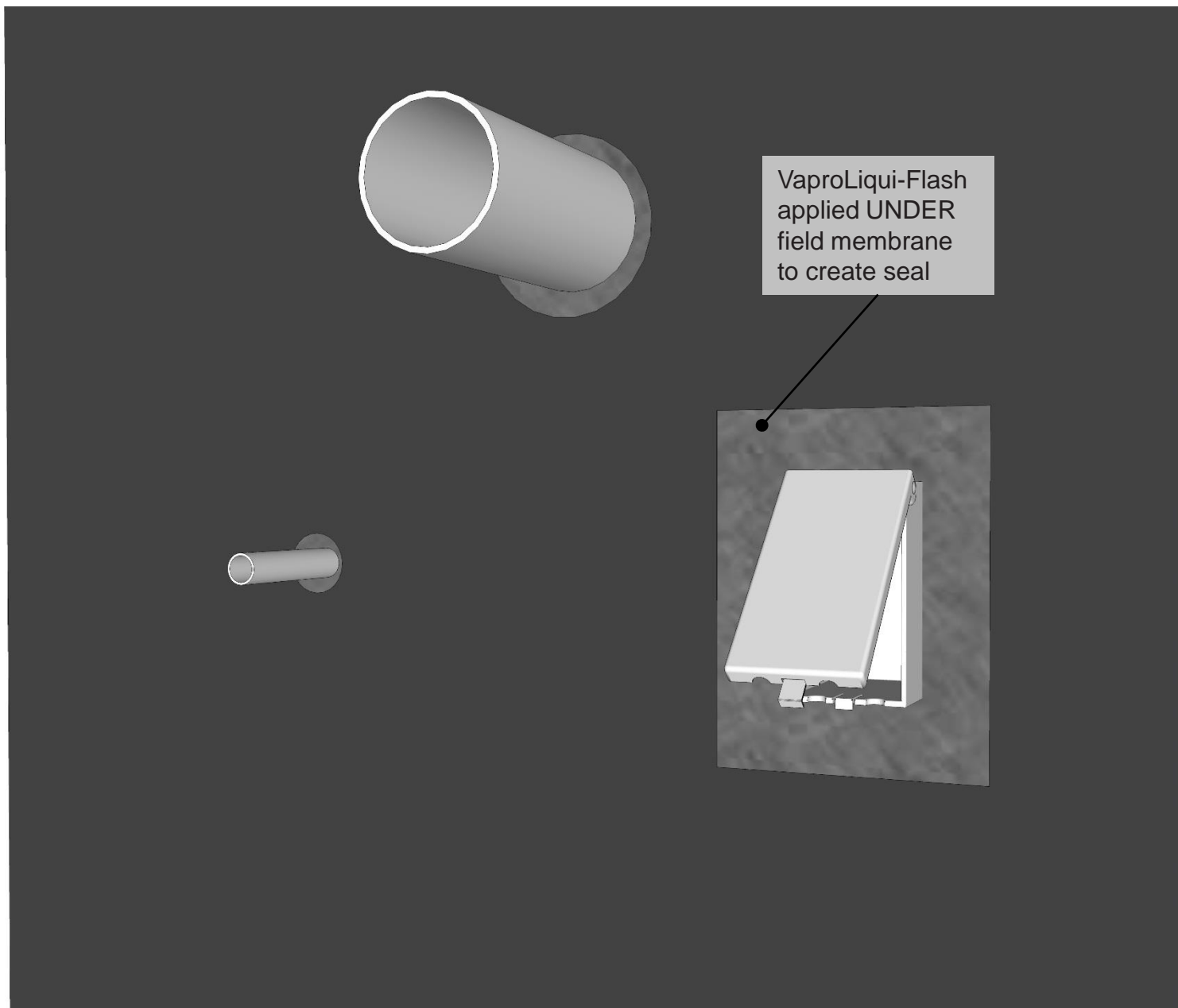
DRAWN BY: AR

DATE: 03-09-17

REF: 186

Always check www.VaproShield.com for the latest details and installation instructions

Mechanically Attached Membrane Penetrations



REVEALSHIELD™ IT

VAPROLIQUI-FLASH™

PRODUCT DESCRIPTION

VaproLiqui-Flash is a liquid applied, vapor permeable, waterproof, air barrier flashing system component for window and door rough openings. VaproLiquiFlash is designed to work with VaproFlashing and VaproShield field membranes as a complete system.

DISCLAIMER

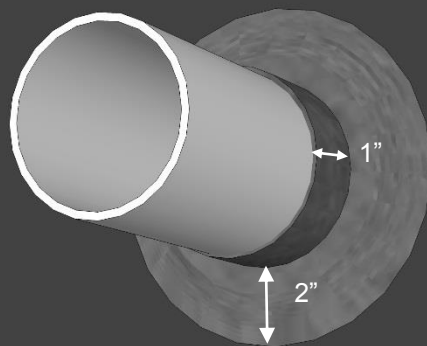
Detail sketch is generic, representing suggested best practices for VaproShield materials, and does not represent a specific job site condition and therefore may not be applicable to certain projects. Detail sketch is designed for use as a reference and must be approved by the designer/ consultant of record for each project prior to installation by the subcontractor. Changes and approvals of VaproShield details are the sole responsibility of the designer/consultant of record. VaproShield is **not** the designer of record for building enclosure details and takes no responsibility for the accuracy or interpretation of actual project site conditions.

DRAWN BY: AR

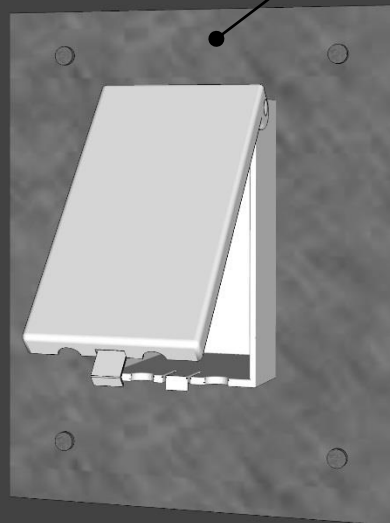
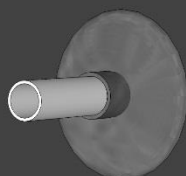
DATE: 03-09-17

REF: 186

Always check www.VaproShield.com for the latest details and installation instructions



Flanges and fasteners should be completely covered with VaproLiqui-Flash



For all penetrations: tool VaproLiqui-Flash evenly at least 2" onto the face and at least 1" out along all sides of the penetration

REVEALSHIELD™ IT

VAPROLIQUI-FLASH™

PRODUCT DESCRIPTION

VaproLiqui-Flash is a liquid applied, vapor permeable, waterproof, air barrier flashing system component for window and door rough openings.

VaproLiquiFlash is designed to work with VaproFlashing and VaproShield field membranes as a complete system.

DISCLAIMER

Detail sketch is generic, representing suggested best practices for VaproShield materials, and does not represent a specific job site condition and therefore may not be applicable to certain projects. Detail sketch is designed for use as a reference and must be approved by the designer/consultant of record for each project prior to installation by the subcontractor. Changes and approvals of VaproShield details are the sole responsibility of the designer/consultant of record. VaproShield is **not** the designer of record for building enclosure details and takes no responsibility for the accuracy or interpretation of actual project site conditions.

DRAWN BY: AR

DATE: 03-09-17

REF: 186

Always check www.VaproShield.com for the latest details and installation instructions